

TECHNICAL SPECIFICATION

LED Track lights SKY TL5016 COB



Technical data

- Power: 30W
- Colour temperature: 4000-4300K
- Rated voltage: 230V / 50/60Hz
- Power Supply: control gear, DC device – driver, included in the set
- Type of LED: COB
- Light source: Epistar Taiwan
- Switch on/off > 20000
- Protection against dust and moisture: IP40
- Housing: aluminum
- Colour of the housing: white
- Long life: 30000 hours
- Beam angle: 60°
- Power factor $\lambda > 0.9$
- Colour rendering index: $Ra \geq 80$

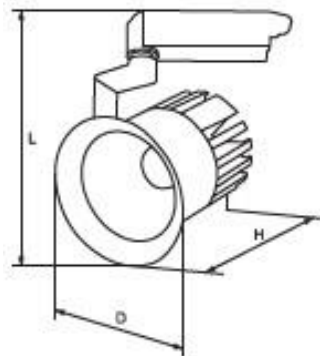
Areas of application

- Commercial sites
- Administrative buildings
- Banks, Schools
- Hospitals
- Entertainment and leisure spots

Product benefits

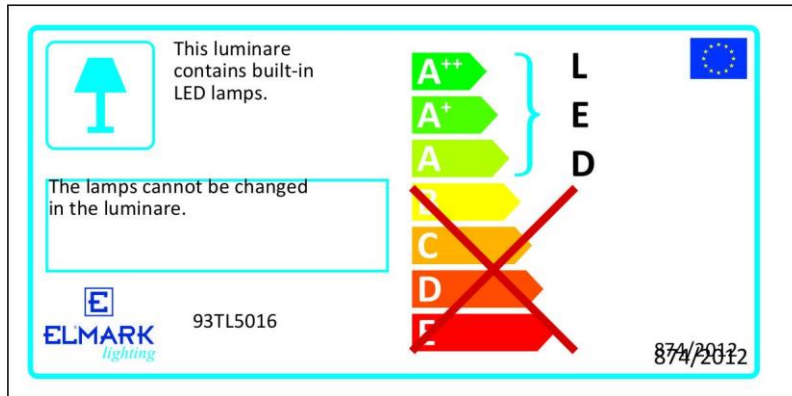
- Completely replace traditional lighting fixtures
- Pleasant and uniform light distribution
- Low power consumption
- Repeated switch on/off does not affect the lifespan
- Instant light with maximum luminous flux
- Environmentally friendly - no mercury and lead
- No ultraviolet and infrared rays
- Resistant to shock and vibration-free body
- Low heat emission

Variants and dimensions



Watt	LED chip lumens (lm)	Whole fixture lumens	Colour temp.	Colour body	Size			Catalogue number	Packing (pcs)
					L	D	H		
30W	3600	2400	4000-4300K	white	250	120	140	93TL5016	6

Energy efficiency



Barcodes

Barcode	Catalogue number
3800131186836	93TL5016

Standards

EN 55015 EN 61000-3-2 EN 61000-3-3 EN 61547 EN 60598-1 EN 60598-2-2

